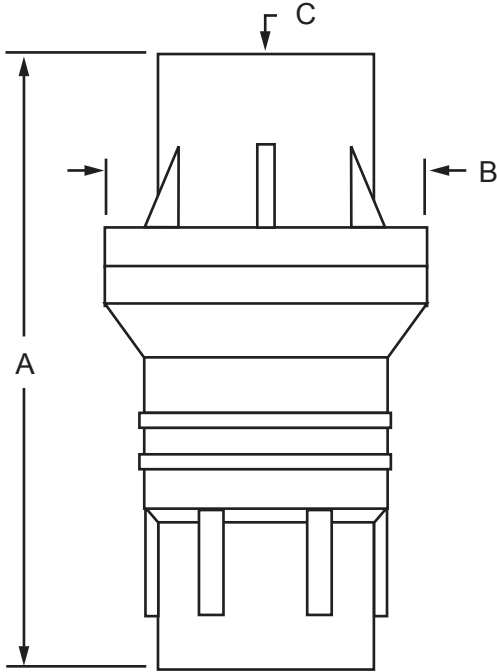


# CSV125 Specifications



## Materials

- \* Engineer-grade thermoplastic
- \* Stainless steel compression spring
- \* Buna N diaphragm

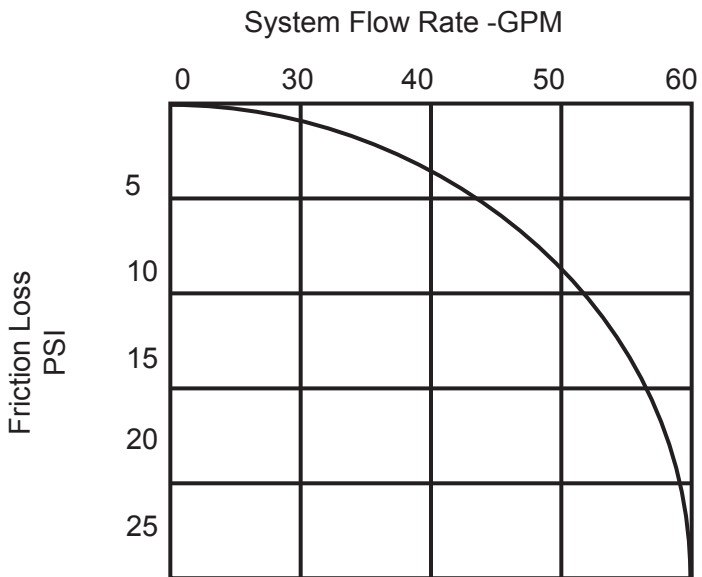
## Pressure - Temperature

- \* Max temperature 90 degrees F
- \* Max shut off head 150 PSI
- \* Pressure 40, 50, 60 PSI

## Features

- \* 2-50 GPM
- \* Maintains constant outlet pressure
- \* Tank fill rate approximately 2 GPM

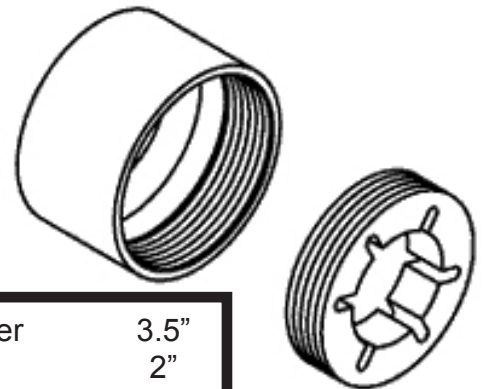
Dimensions				Wt
Size	A	B	C	
1.25" NPT	5.75"	2.915"	1.25" NPT	10oz



Model CSC125

A retainer coupling designed to allow the CSV125 to be installed in the well casing on the top joint of pipe or under a pitless adapter or in the well tank while protecting the valve center from up to 500 lbs of pump/pipe weight. It is available in thermoplastic.

The threaded coupling separates and the valve sits in the bottom piece with the top piece fitting over the fins on top of the valve.



Diameter	3.5"
Width	2"