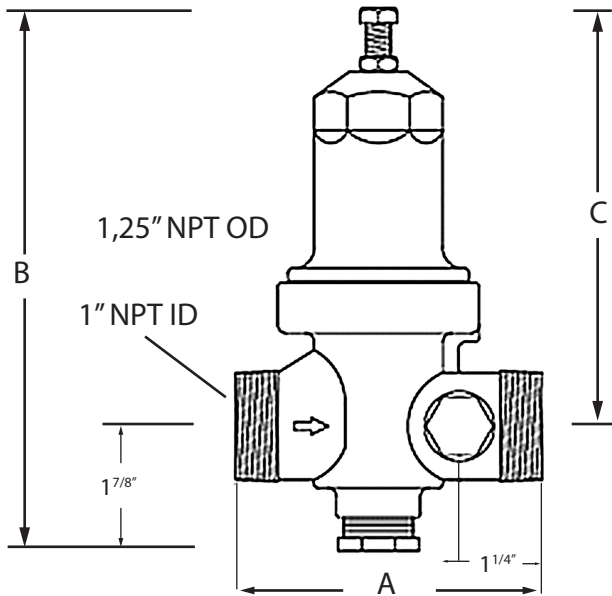


CSV1A Specifications



Dimensions				Wt
Size	A	B	C	
	4 9/16"	8 1/8"	6 1/4"	4 lbs

Materials

- * 304 stainless steel
- * Molded thermoplastic spring cage
- * EPDM with dacron cloth insert diaphragm
- * Replaceable acetal cartridge

Pressure - Temperature

- * Max temperature 180 F
- * Max shut off head 400 psi
- * Ajustable pressure 15-150 psi
w/150-300 psi available
- * Max differential pressure 125 psi

Features

- * 1 - 25 gpm flow range
- * Variable flow with reduced pressure
- * Tank fill rate 1 gpm
- * All internal parts corrosion resistant and included in a drop-in cartridge
- * 1" female NPT thread
- * 1 1/4" male pipe thread
- * 2) 1/2" and 1) 3/4" additional manifold parts

Reduced pressure falloff is a function of every pressure reducing style valve including the CSV1A model. (This is not a friction loss.) The chart below shows the reduction in pressure depending on flow or demand. For example, a demand of 10 gpm would create a reduced pressure falloff of 5 PSI. This number should be kept in mind when you set your Cycle Stop valve pressure...(for example...if pressure required at 10 gpm is 50 PSI...with demand at 2 gpm, set the Cycle Stop at 55 PSI to adjust for the 5 PSI reduced pressure you will experience at 10 gpm).

